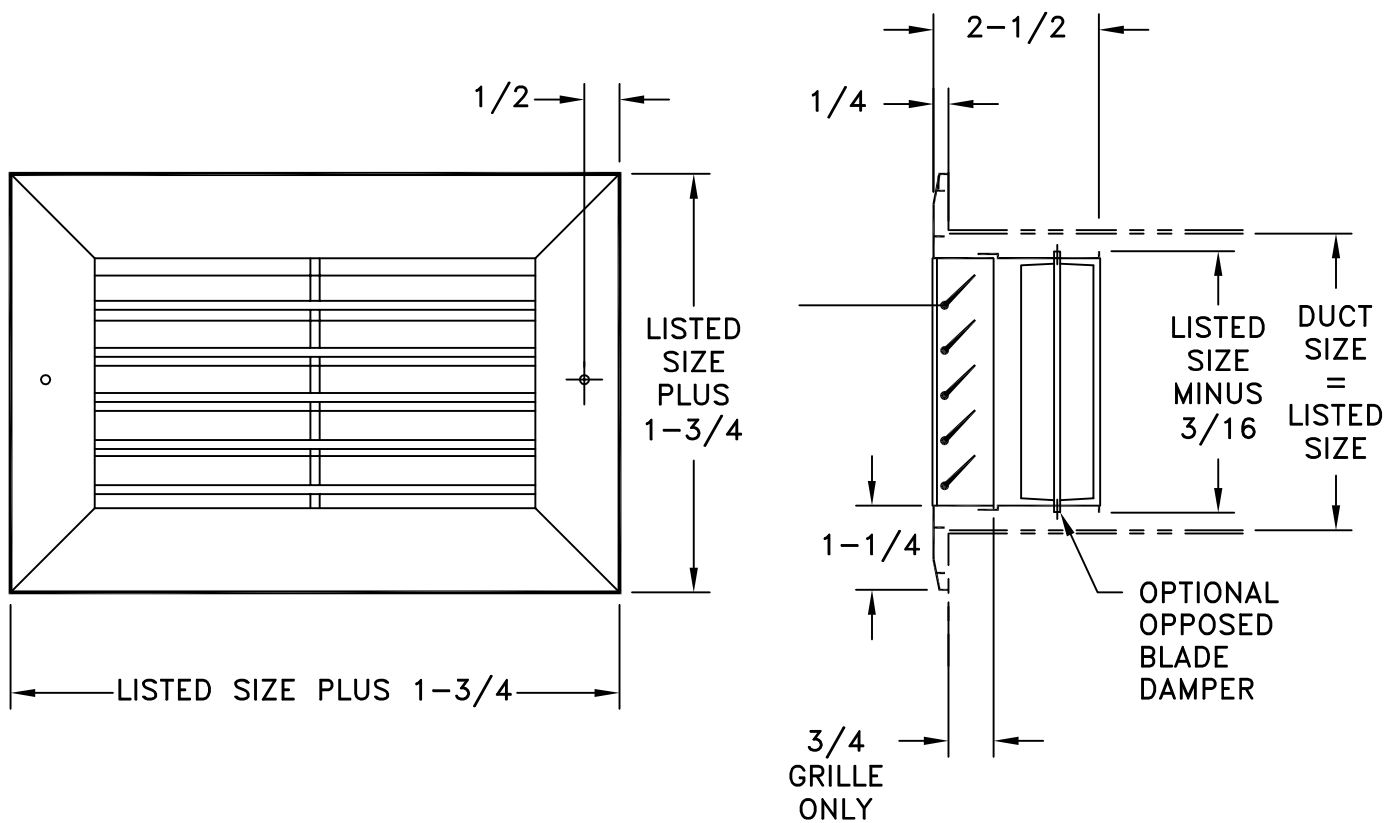


- EXTRUDED ALUMINUM CONSTRUCTION
- BARS ON 3/4 INCH CENTERS
- SCREW HOLE LOCATIONS STANDARD UNLESS OTHERWISE SPECIFIED
- FOR SCREW HOLE LOCATIONS SEE SD-9140
- MINIMUM SIZE: 6 X 4
- MAXIMUM SIZE: 48 X 48 ONE PIECE CONSTRUCTION
- AVAILABLE IN 1 INCH INCREMENTS
- FINISH: WHITE (W) ENAMEL OR SATIN ANODIZED (SA)



### RA204 REGISTER

JOB NAME: _____	SUBMITTED BY: _____	DATE: 04/19/2013	AMF-38
LOCATION: _____		<b>RA204</b> Extruded Aluminum Fixed Horizontal Face Bars	
ARCHITECT: _____			
ENGINEER: _____			
CONTRACTOR: _____			