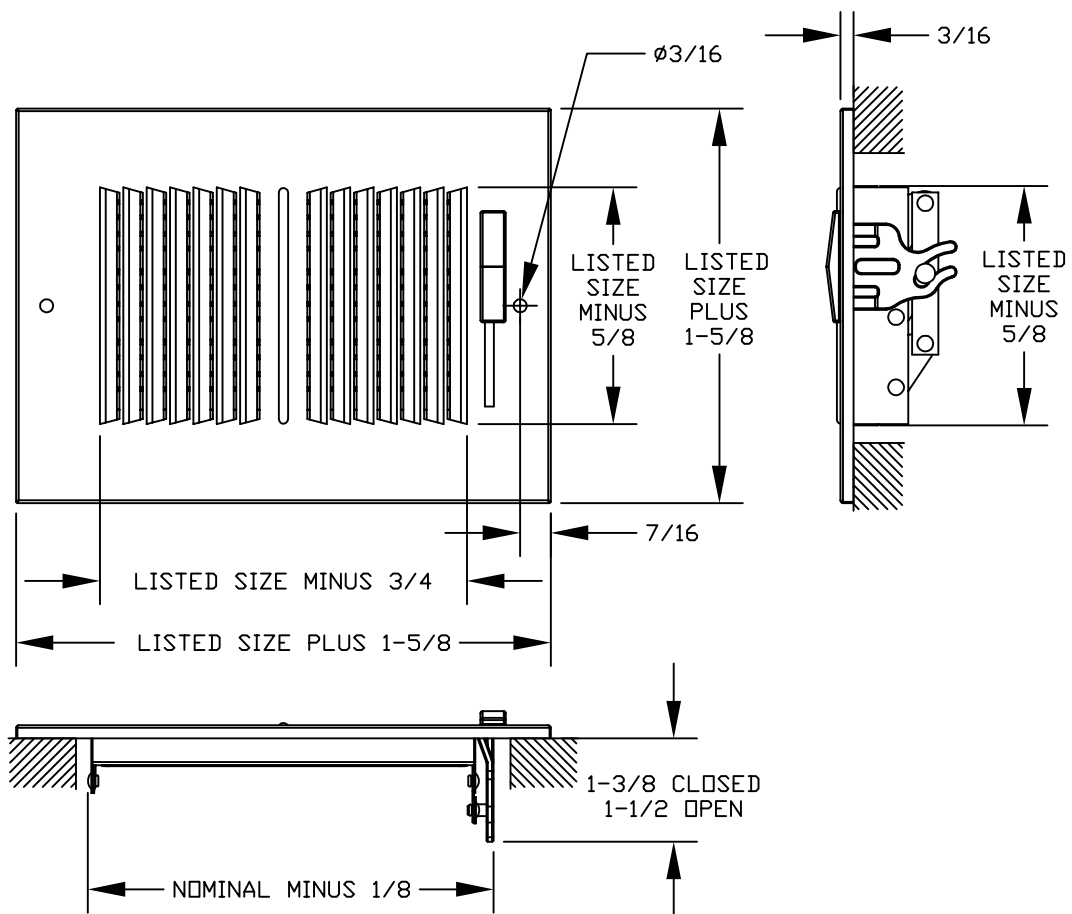


- STEEL CONSTRUCTION
- INTEGRAL STEEL MULTI-SHUTTER DAMPER
- 1/3 INCH SPACED FINS SET AT 45 DEGREES
- CAN BE USED FOR CEILINGS OR SIDEWALLS, HEATING OR COOLING
- FINISH: WHITE (W) ENAMEL



JOB NAME: _____	SUBMITTED BY: _____	DATE: 10/30/2020	AMF-17
LOCATION: _____		356	
ARCHITECT: _____		Steel 2-Way	
ENGINEER: _____		Stamped Face Register	
CONTRACTOR: _____			